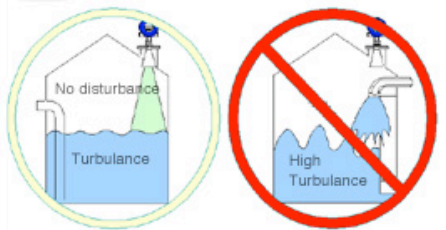


MRG-10 Principle & How to use

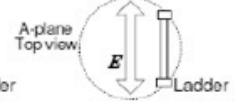
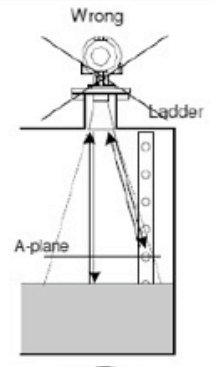
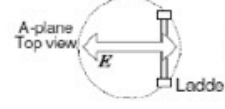
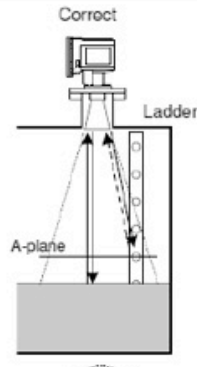
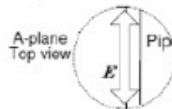
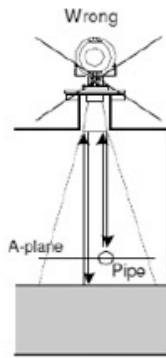
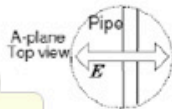
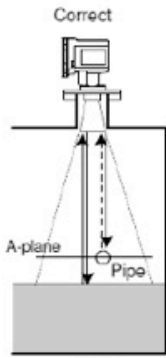
How to use your Microwave Level Gauge, MRG-10.

1 Select a suitable position for the MRG-10



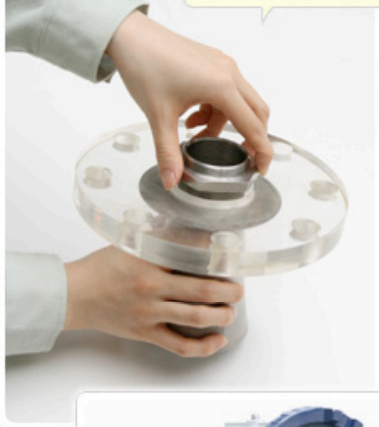
Good and bad examples of installations on tanks.

Choose the best position appropriate for measurement.



2 Mounting the antenna

Set the flange on the antenna and secure it by firmly screwing on the locking nut.

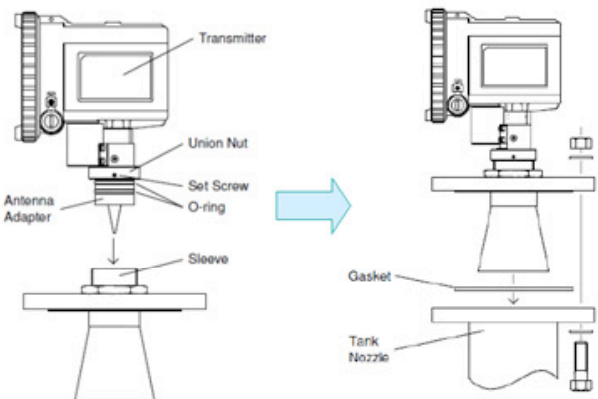


3 Installing the MRG-10 Level Gauge on the top of the tank.

Fix the gauge to the flange with the mounting bolts and nuts.



Position the gauge on the flange so the holes for the mounting bolts are aligned.



4 Connect electrical wires to the unit.



Unscrew and remove the front cover from the unit.



Pass the cable through the entry.



Replace and firmly screw front cover back onto the unit and collect tank information for parameter input

5

Check following parameters!

1. Tank Height "R" value
2. Bottom Space "C" value
3. "4mA Level" value in Measuring Range
4. "20mA Level" value in Measuring Range



Connect the wires to the terminal block and ground unit.



Parameter input may also be performed through a PC

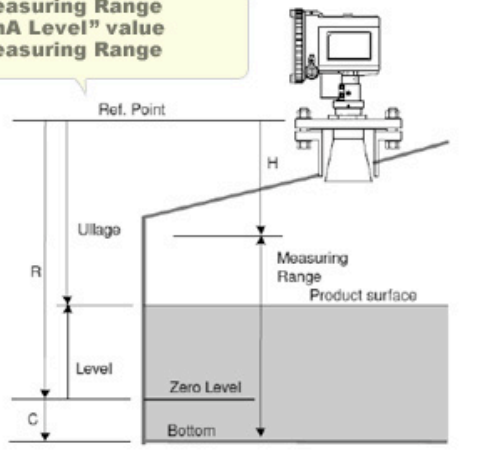
6

Input tank information



7

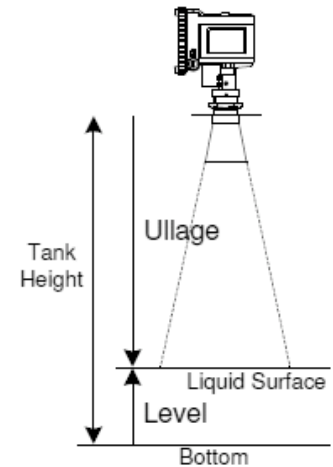
Start measuring!



What is the principle of Microwave Level Gauge : MRG-10?

Measuring principle

The MRG-10 is a time-of-flight measuring system which employs short, low power microwave pulses in a tank to measure level. The MRG-10 is installed at the top of the tank and emits microwave pulses toward the liquid or paste in the tank. Microwaves reflected from this surface are received by the antenna and processed by electronics. The time from transmission to reception is detected and converted by a microprocessor into the range from the transmitter to the surface (ullage) and the level output is calculated from the measured ullage (i.e. Level = Tank Height - Ullage).



*Design and specifications are subject to change without notice.

©Copyright TOKYO KEIKI INC. All rights reserved.

TOKYO KEIKI INC.
Phone : +81-3-3737-8621 Fax : +81-3-3737-8665