



ELIS PLZEŇ a.s.



ULTRASONIC FLOW METER FLOMIC FL3005

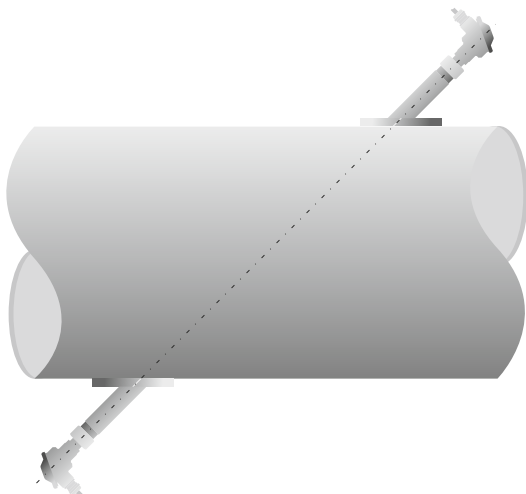
FLOMIC FL3005

The battery-powered ultrasonic flow meter of the type series FLOMIC FL3005 with the ultrasonic probes fitted directly into the piping is intended for measurement and storage of data on instantaneous flow rate and total volume of the liquid passed through the metering point in fully-flooded piping of large sizes. The measurement principle consists of determination of the difference between the times the ultrasonic waves need to cross the distance between the sender and receiver probes when travelling in and against the flow direction of the measured fluid. Of the measured fluid it is only required that it allows for undisturbed propagation of ultrasonic waves. The high measurement accuracy is achieved thanks to the theoretical calibration performed using the manufacturer's original calibration method. The FLOMIC FL3005 flow meter does not require an external power source; the guaranteed battery lifetime is 4 years. The electronic accessories of the meter make possible, apart from measurement and visualisation of the data on instantaneous flow rate and aggregate volume of the fluid passed through the meter, storage of the data measured in regular intervals in own data logger, and data communication via standard electric outputs to a master control system.

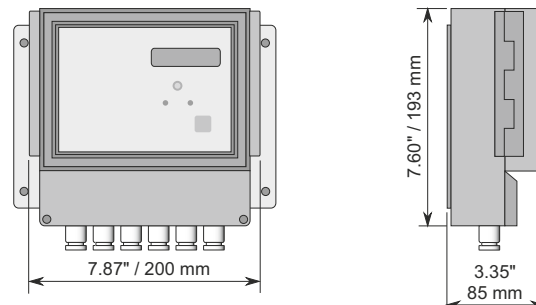
METER SPECIFICATION

| | |
|--------------------------------------|---|
| nominal diameter / size | DN200 to DN2000 (8" to 80") |
| measurement accuracy | ±2% for velocity of the measured liquid $v > 0.5\text{m/s}$ |
| nominal pressure [bar / psi] | max. PN40 / 600 |
| temperature of measured liquid | 0 to 150 °C / 32 °F to 302 °F |
| protection class (electronic unit) | IP 65 |
| protection class (ultrasonic probes) | IP 54 (IP 68) |
| ultrasonic probes | 2 pieces US 2.x (manufactured by ELIS PLZEŇ a. s.) |
| probe fitting | directly into piping |
| flow-rate sampling period | 1 sec |
| display unit | single-line 8-digit LC display |
| power supply | battery, life time min. 4 years |
| probe connecting cabbles | max. 20m / 65.6 ft |
| output | passive pulse $U = 5$ to 30V , $I_{\text{max}} = 10\text{mA}$ |
| communication interface | RS 232 |
| optional accesories | passive current output 4 to 20mA, $U_{\text{max}} = 24\text{V}$ storage of measured data optical interface, GSM communication probe protection class IP 68 measuring in two directions with indication of measurement direction |

ULTRASONIC PROBES US 2.x WELDED DIRECTLY INTO PIPING



ELECTRONIC UNIT



ELIS PLZEŇ a. s.
LUCNI 425/15, 301 00 PLZEN
CZECH REPUBLIC

Phone: +420 377 517 711
FAX: +420 377 517 722
e-mail: sales@elis.cz
www.elis.cz