



ELIS PLZEŇ a.s.



HEAT/COLD METERS IN WATER ELISTHERM ET3020.x3

ELISTHERM ET3020.x3

ELISTHERM ET3020.x3 heat/cold meter systems are intended for measurement of absolute heat and cold energy delivered or consumed in closed heating/cooling systems. The ELISTHERM ET3020.x3 heat/cold meter measures and stores information of heat/cold quantity calculated from the water temperature measured at the pipeline's input and output by means of coupled resistance temperature sensors Pt100 (Pt500) and from the flow of heating/cooling water through ultrasonic flowmeter located at the pipeline's input or output.

ELISTHERM ET3020.x3 heat/cold meter systems are delivered in following configuration:

- Calorimetric counter
- Couple resistance of temperature sensors Pt100 (Pt500)
- Ultrasonic flow meter SONOELIS SE4041

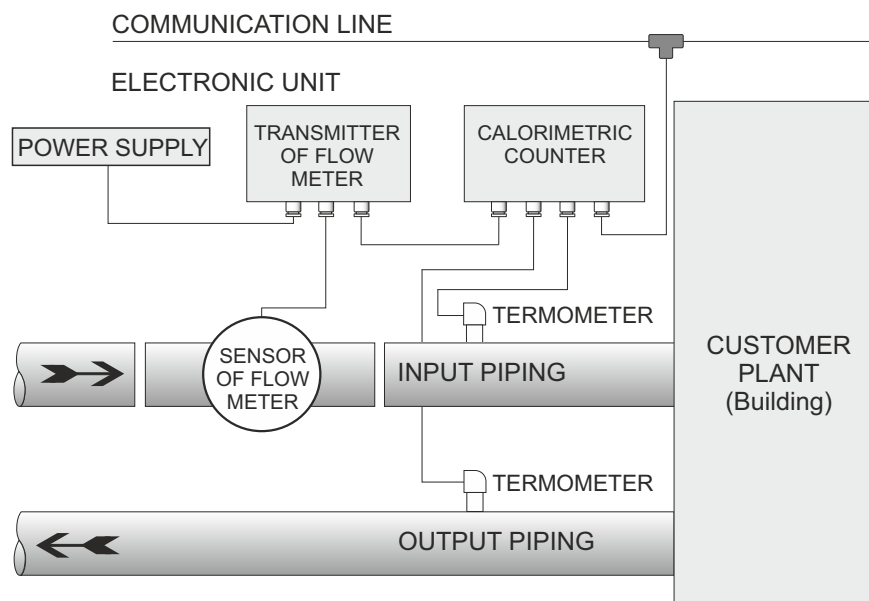
METER VERSION AND TYPE DESIGNATION

Type of system	ET 3020.03
Type of flowmeter	SONOELIS SE4041
Design of flow meter transmitter	Plastic box

METER SPECIFICATIONS

temperature range of flow meter	0° to 150° C (32° to 302°F)
min. temperature difference of calorimetric counter	2° (35.6° F)
nominal diameter of flow meter	DN32 to DN300 (1 1/4" to 12")
flow meter position	input or output piping
measurement accuracy EN 1434 (OIML R 75)	2
communication of the system	M-Bus
power supply of flow meter	230 V AC
power supply of calorimetric counter	230 V AC or battery
protection class calorimetric counter	IP54
protection class flow meter	IP65
ambient temperature	5° to 55° C (41° to 131° F)
optional accessories of calorimetric counter	com. line MODBUS pulse, radio, GSM output
optional accessories of flow meter	temperature of water 180° C (356° F) protection of flow meter IP68

ELISTHERM ET3020.x3 heat/cold meter systems



ELIS PLZEŇ a. s.
LUCNI 425/15, 301 00 PLZEN
CZECH REPUBLIC

Phone: +420 377 517 711
FAX: +420 377 517 722
e-mail: sales@elis.cz
[Http://www.elis.cz](http://www.elis.cz)